

Four Wheeler On-Board Battery Charger



B6AK720030
(72V/30A)

This Battery Charger is designed to fulfill all kinds of charging needs of Electric Cars/Vans. It is engineered to meet specific requirement of Electric Mini Buses as well. It has an operating voltage range from 170VAC to 300VAC. Efficient, cost effective, compact in size and light in weight are its USP. This Battery charger is enabled with CAN for onboard communications.

SALIENT FEATURES:

- Delivers a maximum power of 3.0KW constant
- Over Temperature protection
- Circuit designed with over voltage and under voltage protections
- Battery reverse polarity protection
- Battery Deep Discharge protection
- Overload and short circuit protection
- Designed to meet adverse Indian road and climatic condition
- Aluminum alloy cabinet with good heat dissipation and shock absorption
- Designed for high efficiency with resonance topology

THE COMPANY :

- Company with more than 18 years of experience in switching power supplies.
- Manufactured in a state-of-the-art ISO - 9001 Facility.
- Highly qualified & experienced R&D team.

SPECIFICATIONS

AC Input

AC Input Voltage - Range	-	170 - 300VAC
AC Input Voltage - Nominal	-	230VAC
AC Input Current - Maximum	-	16A
Power Factor	-	>0.95

DC Output

DC Output Voltage Nominal	-	72VDC / (48VDC also available)
DC Output Voltage Maximum	-	95VDC
DC Output Current	-	30Amp
DC Output Power Nominal	-	2700 Watts
DC Output Line & Load Regulation	-	Tolerance \pm 2% at cable
Efficiency	-	>90%

Protections

Output Over Load	-	Available
Output Short Circuit	-	Available
Output Over Voltage	-	Available
Battery Reverse	-	Available
Over Temperature	-	Available

Communication

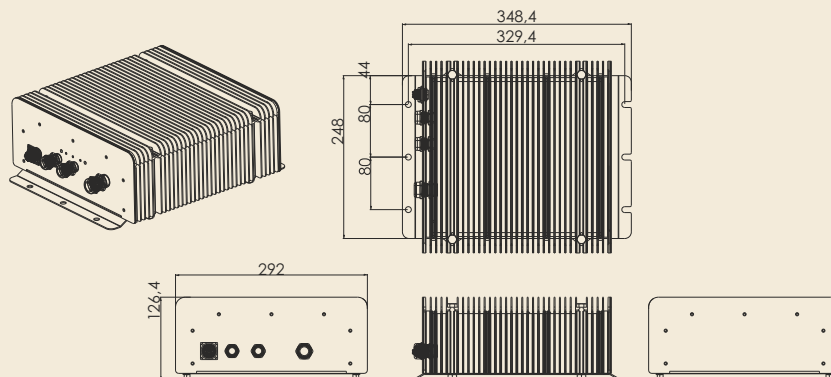
CAN	-	Available
Hardware Enable	-	Available

Environmental

Operating Temperature	-	0°C to +50°C
Storage Temperature	-	-10°C to +60°C

Mechanical

Enclosure	-	Aluminum Enclosure with Water Proof (IP65)
Dimensions	-	L= 348mm, H=126mm, W=248mm
Weight	-	8.3Kgs.
Wiring (Input & Output)	-	Input : 2.5sq three Core Cable, Output : Red (+ve), Black (-ve)
DC input & output connector	-	As per requirement



AXIOM EV PRODUCTS PVT. LTD.

Plot No.: 188/A, 1 & 2nd Floor, Phase II, IDA, Cherlapally,
Hyderabad - 500051, Telangana, INDIA.

Ph : +91-40-27260555, 9959055228

Email: customersupport@axiomevproducts.com

* Specifications may change without prior notice.