

E Rickshaw DC-DC Converter



B1KK120010
(10A)

This DC-DC converter is designed to fulfill all kinds of Auxiliary power requirements of Electric Rickshaw. It is engineered to meet specific requirement of Electric Bikes as well. It has an operating voltage range from 42VDC to 60VDC. Efficient, cost effective, compact in size and light in weight are its UPS.

SALIENT FEATURES:

- Delivers a maximum current of 10A constantly and peak of 15A.
- Circuit designed with over voltage and under voltage protections..
- Overload and short circuit protection.
- Designed to meet adverse Indian power condition.
- Aluminum alloy cabinet with good heat dissipation and shock absorption.
- High performance due to highend technology
- Overload protection and accurate battery current limit

THE COMPANY :

- Company with more than 18 years of experience in switching power supplies.
- Manufactured in a state-of-the-art ISO - 9001 Facility.
- Highly qualified & experienced R&D team.

SPECIFICATIONS

DC Input

DC Input Voltage - Range	: 42 - 60 VDC
DC Input Voltage - Nominal	: 48VDC
DC Input Current - Maximum	: <5.0A

DC Output

DC Output Voltage	: 13.2VDC \pm 0.4V
DC Output Current	: 10A const.
DC Output Peak Current	: 15Amp peak
DC Output Line & Load Regulation	: Tolerance \pm 2% at cable
DC Ripple / Noise	: <250mV / <1000mV Pk-Pk

Protections

Output Over load	: Available
Output Short circuit	: Available
Output Over voltage	: Available
Battery reverse	: Not Available

Environmental

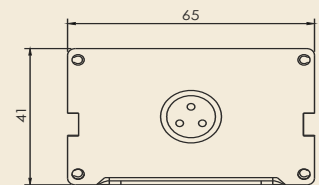
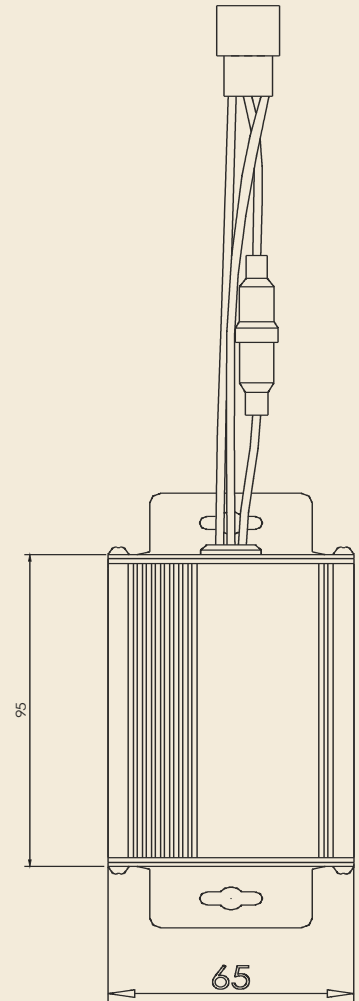
Operating Temperature	: 0°C to +50°C
Storage Temperature	: -10°C to +60°C

Regulatory

Safety	: Designed to meet (IEC60950)
--------	-------------------------------

Mechanical

Enclosure	: Aluminum Enclosure with Water Proof (IP65)
Dimensions	: L=92mm, W=64mm, H=41mm
Weight	: 800 Grams
Wiring	: Red (Input),Yellow (Output),Black(Common) 3core , 3pin AC plug
DC input & output connector	: TTP-23MN, 3pole connector



All dimensions are in mm.

AXIOM EV PRODUCTS PVT. LTD.

Plot No.: 188/A,1 & 2nd Floor,Phase II,IDA,Cherlapally,
Hyderabad - 500051,Telangana,INDIA.

Ph : +91-40-27260555, 9959055228

Email: customersupport@axiomevproducts.com

* Specifications may change without prior notice.