

## Four Wheeler DC-DC Convertor



**C7AK120070**  
(12V/72A)

This DC-DC converter is designed to fulfill all kinds of Auxiliary power requirements of Electric Cars/Vans. It is engineered to meet specific requirement of Electric Mini Buses as well. It has an operating voltage range from 65VDC to 95VDC. Efficient, cost effective, compact in size and light in weight are its USP. This DC-DC converter is enabled with CAN for onboard communications.

### SALIENT FEATURES:

- Delivers a maximum current of 72A constant
- Over Temperature protection
- Circuit designed with over voltage and under voltage protections
- Battery reverse polarity protection
- Battery Deep Discharge protection
- Overload and short circuit protection
- Designed to meet adverse Indian road and climatic conditions
- Aluminum alloy cabinet with good heat dissipation and shock absorption
- Designed for high efficiency with resonance topology

### THE COMPANY :

- Company with more than 18 years of experience in switching power supplies.
- Manufactured in a state-of-the-art ISO - 9001 Facility.
- Highly qualified & experienced R&D team.

## SPECIFICATIONS

### DC Input

DC Input Voltage - Range	65 - 95VDC / (48VDC also available)
DC Input Voltage - Nominal	72VDC
DC Input Current - Maximum	17A

### DC Output

DC Output Voltage	13.8VDC±0.4V
DC Output Current	72Amp const.
DC Output Power Nominal	1000 Watts
DC Output Line & Load Regulation	Tolerance ± 2% at cable
Efficiency	>90%

### Protections

Output Over Load	Available
Output Short Circuit	Available
Output Over Voltage	Available
Battery Reverse	Available
Over Temperature	Available

### Communication

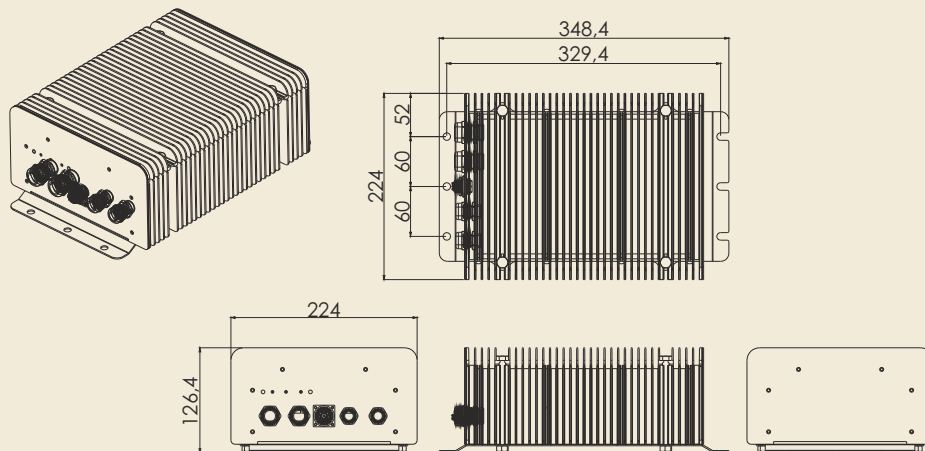
CAN	Available
Hardware Enable	Available

### Environmental

Operating Temperature	0°C to +50°C
Storage Temperature	-10°C to +60°C

### Mechanical

Enclosure	Aluminum Enclosure with Water Proof (IP65)
Dimensions	L= 348mm, H=126mm, W=224mm
Weight	8.3Kgs.
Wiring (Input & Output)	Red (+ve), Black (-ve)
DC input & output connector	As per requirement



### AXIOM EV PRODUCTS PVT. LTD.

Plot No.: 188/A, 1 & 2nd Floor, Phase II, IDA, Cherlapally,  
Hyderabad - 500051, Telangana, INDIA.

Ph : +91-40-27260555, 9959055228

Email: customersupport@axiomevproducts.com

\* Specifications may change without prior notice.